

SKYMATIC CONTROLS INC.

WPS1 POWER SUPPLY APPLICATION NOTES

WPS1 is a non-isolated low cost DC to DC down converter designed to accept wide range of input volts, making it ideal power supply for contactor coils, solenoids or solar panels. Pinout is compatible with Panasonic EHDRD3363 DC-DC converter.

Features: Low Cost
Wide, 25:1 input voltage range

SPECIFICATIONS

Absolute Maximum Ratings:

Input Volts:	-750 VDC
Operating Ambient Temperature:	-30 to +70 °C
Storage Temperature:	-40 to +105 °C

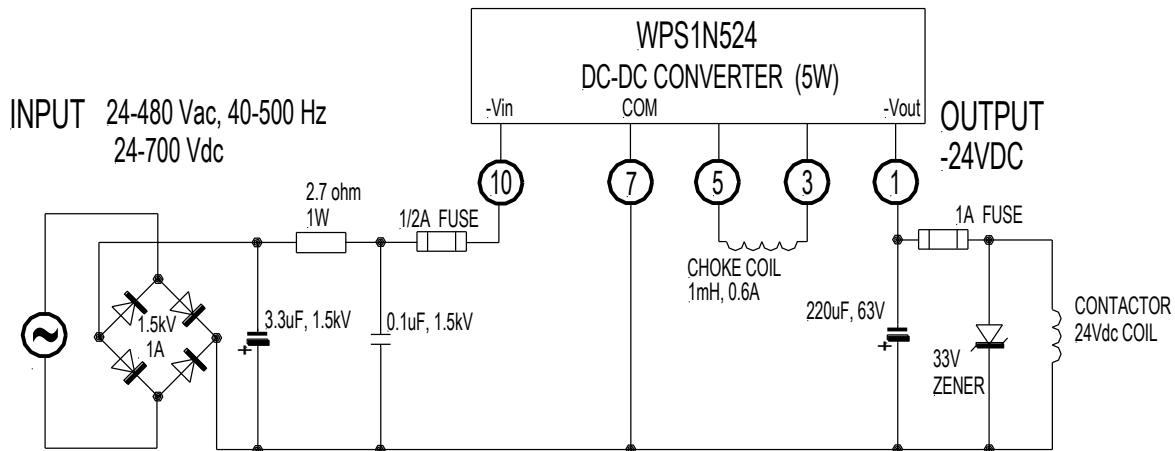
Operating Ratings:

Input Voltage range V_{in} :	-24 to -600 VDC
Output Voltage V_{out} :	-24 Vdc +/- 5%
Output Current I_{out} :	-200mA max. (WPS1N524)
Output voltage ripple:	0.5V
Efficiency:	50 to 75 %

TYPICAL APPLICATIONS

1. Solenoids, contactor coils, breaker trip coils

120VAC +350%, -80% input voltage range
24VDC output



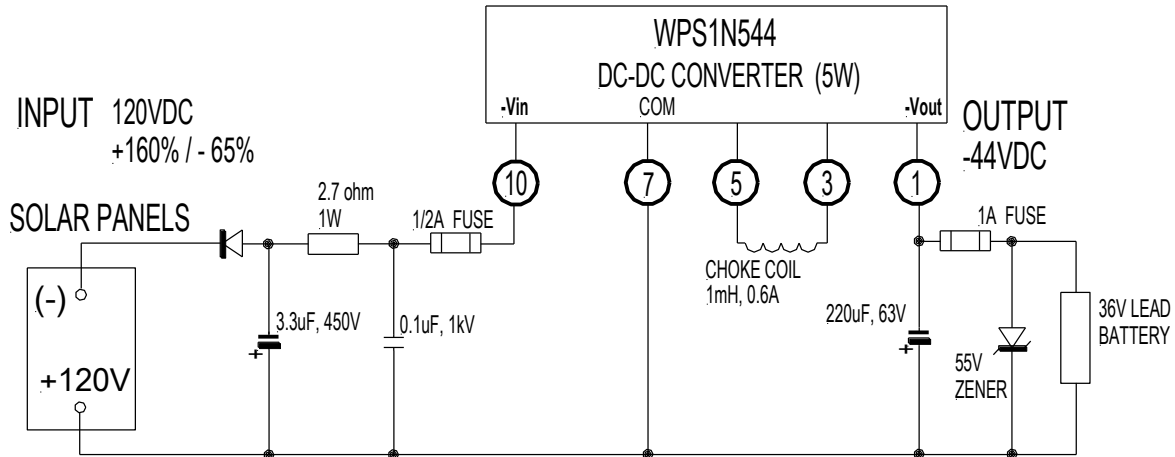
2. Small Solar panel or wind generator battery charger

Conditions: large swings in panel voltage output combined with variable load

Example: 10x12V solar panels, charging 36V lead battery

120VDC input +160%, -65% ,

44VDC output to 36VDC battery



Note: The WPS1 series is scalable for larger installations. Example: WPS1NC44 is rated for 100W output power.